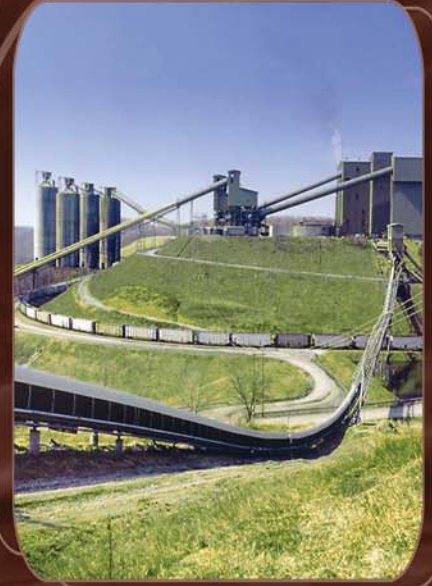


EXPLOSION PROOF AC AND DC MOTORS



PEERLESS[®]
ELECTRIC

PRODUCING MOTOR
SOLUTIONS FOR

- COAL AND UNDERGROUND MINING APPLICATIONS
- EXPLOSIVE GAS/VAPOROUS CONDITIONS
- HAZARDOUS/EXPLOSIVE SENSITIVE ENVIRONMENTS





PEERLESS ELECTRIC... HELPING CUSTOMERS SOLVE MOTOR PROBLEMS SINCE 1893.

Since being established in 1893, Peerless Electric has built a solid reputation as a world class leader in the design and manufacture of specialty AC and DC Electric Motors. Our custom-designed motors serve a diverse group of industries including industrial, military and original equipment manufacturers as well as niche markets such as material handling, motion control, machine tool, nuclear, hoist/lifting cranes and many others. Customers over the last 100 years have come to know Peerless Electric as the motor manufacturer to depend on for custom designed, quality made motors that provide high performance and dependable long-term service. **Peerless Electric...is the solution for your motor problems.**

PEERLESS ELECTRIC... AC OR DC EXPLOSION-PROOF MOTORS FOR HAZARDOUS WORK ENVIRONMENTS.

Peerless Electric manufactures an expressive line of dependable and solid performing AC and DC Explosion-Proof Motors. These motors are specifically designed and constructed to be totally enclosed for use in hazardous environments and industrial work sites where sparks cannot be permitted due to the presence of explosive fine material particles, coal dust and/or gases.



Approved for use by the Bureau of Mines – MSHA

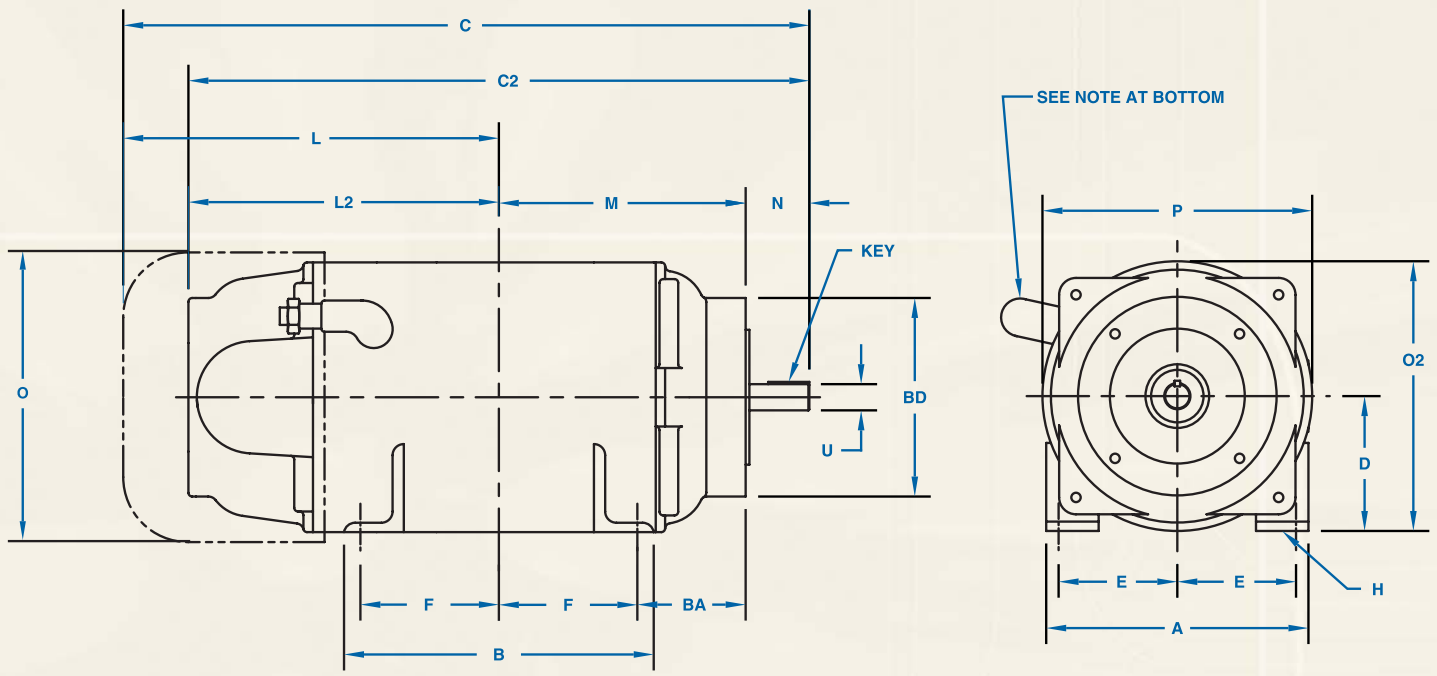
(Mine Safety and Health Administration) of the US Government, Peerless Electric produces standard DC explosion-proof motors, single phase and/or three phase motors and these are available in sizes ranging from: 1 HP through 10 HP in 48, 60, 80, 96 and/or 120VDC as well as 5.5 HP and 7.5 HP - 230VDC. Both AC and DC explosion-proof motors for special or custom applications that require special configurations are also available. These can be supplied with specified directional or radial positioning of lead cord, special standard or double "C" face mountings and/or other design configurations to meet your specific work application requirement. Shown below is a specification chart detailing some of the standard Peerless Electric AC and DC explosion-proof motors.

EXPLOSION-PROOF MOTORS...AC AND DC MSHA PERMISSIBLE

DIRECT CURRENT MOTORS						
HP	SPEED	FRAME	VOLT	ENCLOSURE	DRAWING	DUTY
1.0	1750	D186AD	230	T.E.X.P.	B-14768	CONT.
1.0	1750	D186AD	250	T.E.X.P.	B-14768	CONT.
2.0	1750	D187AN	48-60	T.E.X.P.	B-14768	60 MIN.
2.0	1750	D187AN	96-120	T.E.X.P.	B-14768	60 MIN.
3.0	1750	D187AT	48	T.E.X.P.	B-14768	60 MIN.
3.0	1750	D187AT	60	T.E.X.P.	B-14768	60 MIN.
5.5	1750	D187AT	48	T.E.X.P.	B-14768	60 MIN.
5.0	1750	D254AF	80	T.E.X.P.	B-14768	60 MIN.
10	2500	DB180ZB	72	T.E.X.P.	C-16351	30 MIN.
SINGLE PHASE MOTORS						
HP	SPEED	FRAME	VOLT	ENCLOSURE	DRAWING	DUTY
7.5	1750	BH256UR	230	T.E.X.P.	B-14768	CONT.
7.5	1750	BH256UR	230	T.E.X.P.	B-14768	60 MIN.
THREE PHASE MOTORS						
HP	SPEED	FRAME	VOLT	ENCLOSURE	DRAWING	DUTY
5.5	1750	P184M	230	T.E.X.P.	B-14768	60 MIN.



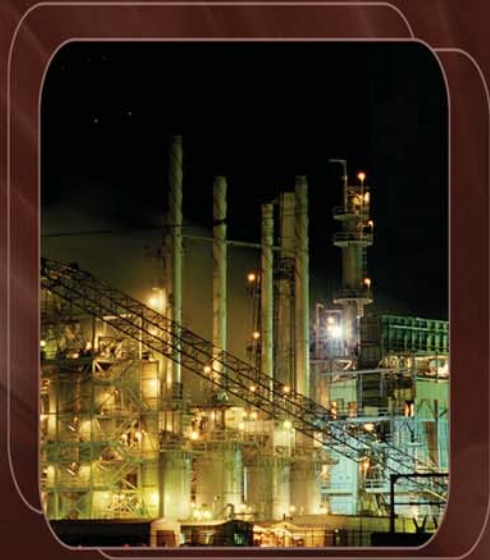
MOTOR DIMENSION DATA MSHA PERMISSIBLE EQUIPMENT



FRAME	A	B	C	C2	D	E	F	H	L	L2	M	N
D186AD	8-3/4"	8-1/4"	—	17-19/32"	4-1/2"	3-3/4"	3-1/2"	7/16"	—	8-3/32"	6-5/16"	3-3/16"
D187AN	8-3/4"	9-1/4"	—	19-1/2"	4-1/2"	3-3/4"	4"	7/16"	—	9-1/2"	6-13/16"	3-3/16"
D187AT	8-3/4"	9-1/4"	—	21-1/8"	4-1/2"	3-3/4"	4"	7/16"	—	11-1/4"	6-13/16"	3-3/16"
D254AF	12-1/2"	10-3/8"	—	23-3/4"	6-1/4"	5"	4-1/8"	9/16"	—	11-9/16"	8-11/16"	3-1/2"
BH256UR	12-1/2"	10-3/8"	27-11/16"	23-3/4"	6-1/4"	5"	4-1/8"	9/16"	15-1/2"	11-9/16"	8-11/16"	3-1/2"
P184M	8-3/4"	9-1/4"	—	17-25/32"	4-1/2"	3-3/4"	4"	7/16"	—	7-25/32"	6-13/16"	3-3/16"
DB180ZB	—	—	—	22-1/2"	4-1/2"	5"	—	—	—	10-1/2"	8-1/2"	3-1/2"

FRAME	O	O2	P	U	BD	BA	KEY
D186AD	—	9"	9"	7/8"	6-5/8"	2-13/16"	3/16" SQ. X 2-7/8" LG.
D187AN	—	9"	9"	7/8"	6-5/8"	2-13/16"	3/16" SQ. X 2-7/8" LG.
D187AT	—	9"	9"	7/8"	6-5/8"	2-13/16"	3/16" SQ. X 2-7/8" LG.
D254AF	—	12-1/2"	12-1/2"	1-3/8"	10"	4-9/16"	5/16" SQ. X 2-3/4" LG.
BH256UR	13"	12-1/2"	12-1/2"	1-3/8"	10"	4-9/16"	5/16" SQ. X 2-3/4" LG.
P184M	—	9"	9"	7/8"	6-5/8"	2-13/16"	3/16" SQ. X 2-7/8" LG.
DB180ZB	—	9"	9"	1-3/8"	10"	3"	5/16" SQ. X 2-3/4" LG.

Direction and Radial Position of lead cord may be specified. Special Standard or Double "C" Face Mounting may be specified. Dimensions are subject to change without notice.



PEERLESS ELECTRIC... IS THE SOLUTION TO YOUR MOTOR PROBLEMS!

Peerless Electric is a manufacturer of quality, high performance AC and DC Electric Motors. Since 1893, we have been a world class leader in the design and production of specialty AC/DC Electric Motors, such as: single phase AC, DC servo, military, pump, traction and hermetic AC. Peerless Electric produces reliable, high performance motors serving a wide variety of markets, including:

- Mining Industry
- Commercial Industries
- Centrifugal Pumps
- Material Handling
- Military
- Motion Control
- Nuclear
- Specialty, Custom Design and OEM



AFFILIATE OF **HBD** INDUSTRIES, INC.

1401 W. Market Street
Warren, OH 44485-2797

PHONE: 800/676-3651

FAX: 330/393-6041

E-MAIL: sales@peerlesselectric.com

www.peerlesselectric.com • www.hbdindustries.com



Peerless Electric is an affiliate company of HBD Industries, Inc. HBD Companies manufacture quality, application-engineered custom designed and standard industrial products serving many diverse industries and markets. Products manufactured by HBD Industries, Inc. include AC/DC/BLDC electric motors, aerospace precision components, budding strips, cemented tungsten carbide parts, closed die forgings, coated rubber fabrics, conveyor belting, drives, ducting, gear reducers, hose (automotive, aviation, hand-built, industrial, marine and petroleum), material handling products (metal separators/detectors and electro-magnetic lifting equipment), power transmission belts, rubber bands, rubber roll coverings and ventilation equipment (fans and blowers). For complete details on HBD Industries, Inc. log onto www.hbdindustries.com.